



MFS50

Tohatsu's EFI 50hp 4-stroke is lightweight, has exceptional fuel economy, improved torque, and outstanding durability - you've never had a day on the water quite like this.

Available in Aqua Marine Blue and Beluga White, allowing you to best match your boating style.

MFS50 specifications

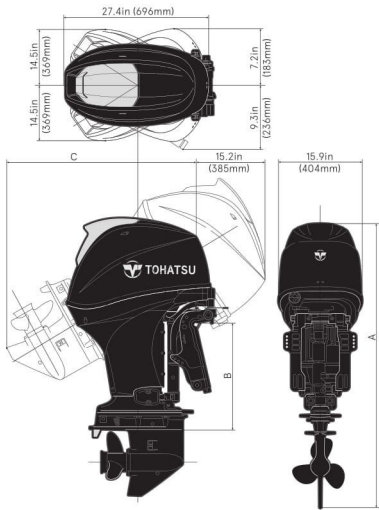
Number of Cylinders	3
Output	50 hp (36.8 kw)
Displacement	866 cc (52.84 cu.in)
Bore x Stroke	70 x 75 mm (2.75 x 2.95 in)
Starting	Electric
Control Type	Remote Control or Tiller Handle
Gear Shift	Forward - Neutral - Reverse
Gear Ratio	2.08:1
Transom Height	15", 20"
Weight	209 lbs (95 kg)
Alternator Output	12V, 252W, 21A
Max RPM Range	5,000 - 6,000

Standard features include: MicroComputer Programmed Ignition System, Electronic Fuel Injection, Start in Gear Protection, Thermostat Controlled Cooling System, Through-The-Prop Exhaust, Overheat Buzzer, Power Trim and Tilt, Oil Pressure Warning, and Variable Idle Speed.



Feel the
Wind™

Dimensions

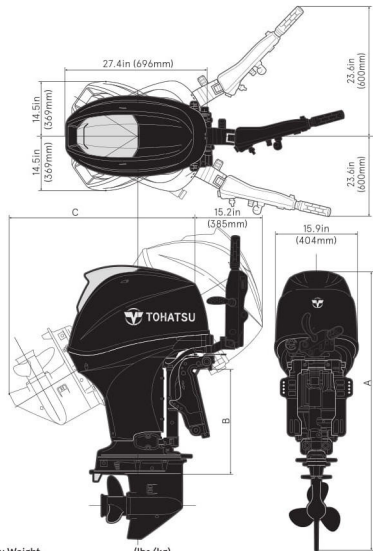


Dry Weight (lbs/kg)

Model	ET
Transom S:	209 (95.0)
Transom L:	214 (97.0)

Dimensions (in/mm)

Model	A	B	C
Transom S:	49.5 (1257)	15.9 (405)	31.9 (811)
Transom L:	54.7 (1390)	21.2 (538)	36.6 (930)



Dry Weight (lbs/kg)

Model	ET
Transom S:	220 (100.0)
Transom L:	225 (102.0)

Dimensions (in/mm)

Model	A	B	C
Transom S:	49.5 (1257)	15.9 (405)	31.9 (811)
Transom L:	54.7 (1390)	21.2 (538)	36.6 (930)