

# MFS30



Whether you are cruising, fishing or working, the 30 hp Electronic Fuel Injection 4-stroke outboard will meet your needs. Available in both Aqua Marine Blue and Beluga White, the MFS30 is built to match your style.

Tohatsu is the first to offer a battery-less EFI system that provides quick throttle response and incredibly smooth rides. The MFS30 is the ideal choice for compact power.

## MFS30 specifications

Number of Cylinders	3
Output	30 hp (22.1 kw)
Displacement	500 cc (30.5 cu. in)
Bore x Stroke	61 x 57 mm (2.40 x 2.25 in)
Starting	Electric or Manual
Control Type	Remote Control or Tiller Handle
Gear Shift	Forward - Neutral - Reverse
Gear Ratio	2.17:1
Propeller Selection Range	8" - 14"
Transom Height	15", 20"
Weight	128 lbs (58 kg)
Alternator Output	Optional: 12V, 180W, 15A*
Max RPM Range	5,500 - 6,500
Power Trim and Tilt	Option
Shallow Water Drive	Option

Standard features include: Electronic Fuel Injection, Digital CD Ignition System, Start in Gear Protection, Thermostat Controlled Cooling System, Through-The-Prop Exhaust, Oil Pressure Warning, and Variable Idle Speed.

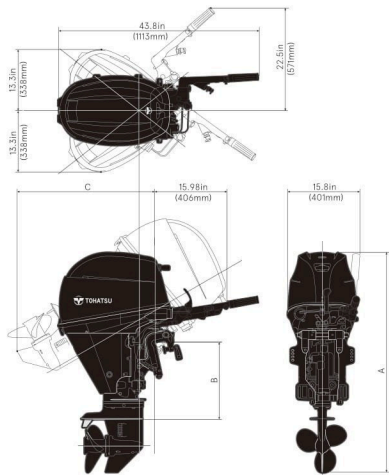
\*Standard on Electric Start Models



# Feel the Wind™



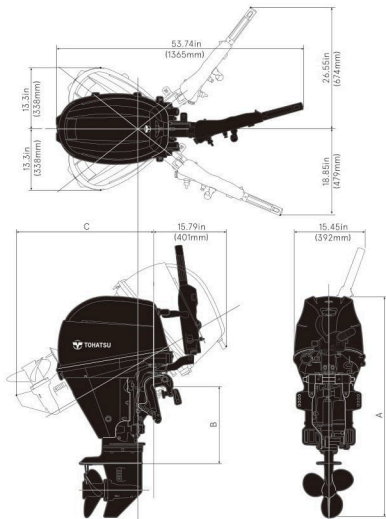
### Dimensions



Dry Weight		(lbs/kg)	
Model	MF	EF	
Transom S:	128 (58.0)	137 (62.0)	
Transom L:	129 (58.5)	138 (62.5)	

Dimensions		(in/mm)		
Model	A	B	C	
Transom S:	47.9 (1216)	16.75 (425)	30.05 (763)	
Transom L:	52.9 (1343)	21.75 (552)	34.35 (873)	

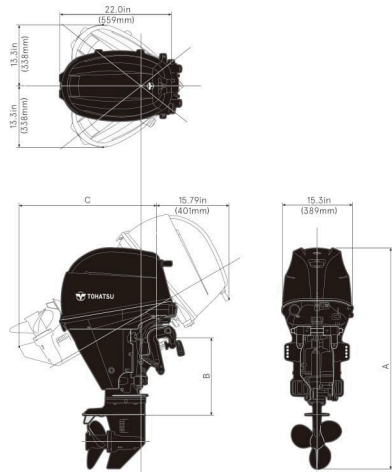
### Dimensions



Dry Weight		(lbs/kg)	
Model	EHT		
Transom S:	156 (71.0)		
Transom L:	157 (71.5)		

Dimensions		(in/mm)		
Model	A	B	C	
Transom S:	47.9 (1216)	16.75 (425)	30.6 (777)	
Transom L:	52.9 (1343)	21.75 (552)	35.0 (889)	

### Dimensions



Dry Weight		(lbs/kg)	
Model	EPT		
Transom S:	148 (67.0)		
Transom L:	149 (67.5)		

Dimensions		(in/mm)		
Model	A	B	C	
Transom S:	47.9 (1216)	16.75 (425)	30.6 (777)	
Transom L:	52.9 (1343)	21.75 (552)	35.0 (889)	