



MFS2.5

LIGHTWEIGHT & PORTABLE

Featuring front and back carrying handles, the MFS2.5 is ergonomically designed to allow easier carry and transportation. In addition, you can now store your engine in three different positions without worrying about oil spills. This compact 4-stroke outboard has the largest displacement block in its class, giving you maximum power in a small package.

MFS2.5 specifications

Number of Cylinders	1
Output	2.5 hp (1.8 kw)
Displacement	85.5 cc (5.2 cu.in)
Bore x Stroke	55 x 36 mm (2.17 x 1.42 in)
Starting	Manual
Control Type	Tiller Handle
Gear Shift	Forward - Neutral
Gear Ratio	2.15:1
Propeller Selection Range	4.5" - 7"
Transom Height	15"
Fuel Tank	0.26 US Gal (1 Lit) Integral Tank
Weight	41 lbs (18.4 kg)
Max RPM Range	4,500 - 5,500

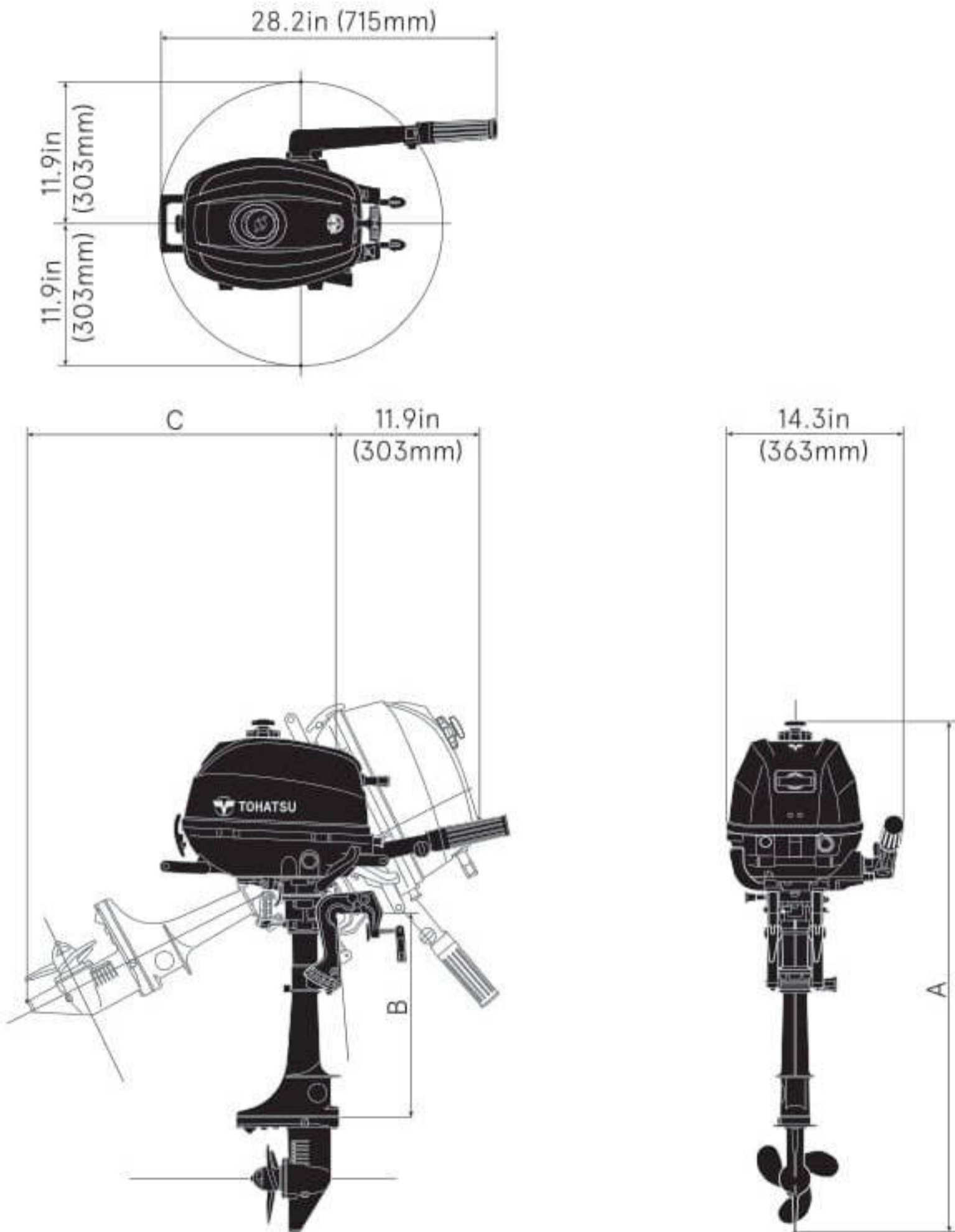
Standard features include: Digital CD Ignition System and Thermostat Controlled Cooling System



Feel the Wind™



Dimensions



Dry Weight (lbs/kg)

Model	MF
Transom S:	41 (18.4)
Transom L:	43 (19.4)

Dimensions

(in/mm)

Model	A	B	C
Transom S:	40.4 (1026)	17.1 (435)	24.8 (628)
Transom L:	45.4 (1153)	22.1 (562)	28.7 (728)