



# MFS75

Tohatsu's 75 hp 4-stroke outboard utilizes the groundbreaking industry-first technology of 4-2-1 Performance Tuned Exhaust that provides incomparable torque throughout the RPM range. Higher torque means better hole shot, faster speeds, less drag, and application for pleasure or commercial boat uses.

## MFS75 specifications

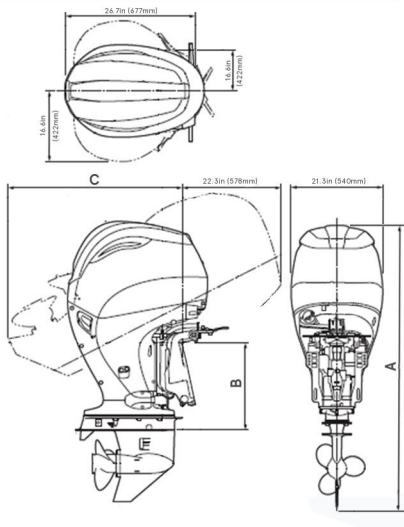
Number of Cylinders	4
Output	75 hp (55.2 kw)
Displacement	1995 cc (121.6 cu.in)
Bore x Stroke	84 x 90 mm (3.31 x 3.54 in)
Starting	Electric
Control Type	Remote Control or Tiller Handle
Gear Shift	Forward - Neutral - Reverse
Gear Ratio	2.08:1
Transom Height	20"
Weight	392 lbs (178 kw)
Alternator Output	12V, 492W, 41A
Max RPM Range	5,150 - 5,850

Standard features include: MicroComputer Programmed Ignition System, Electronic Fuel Injection, Start in Gear Protection, Thermostat Controlled Cooling System, Through-The-Prop Exhaust, Overheat Buzzer, Power Trim and Tilt, Oil Pressure Warning, and Variable Idle Speed.



# Feel the Wind™

## Dimensions

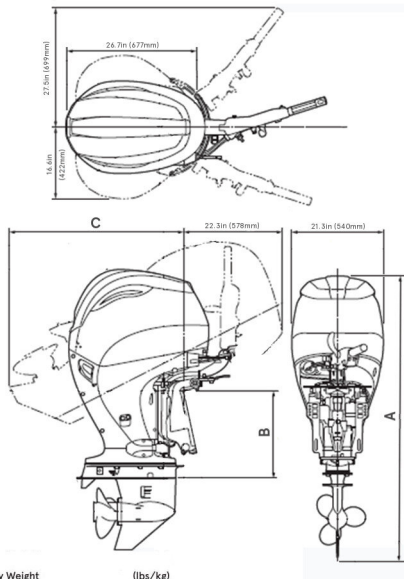


Dry Weight (lbs./kg)

Model	ET
Transom L:	392 (178)

Dimensions (in./mm)

Model	A	B	C
Transom L:	65.1 (1654)	20.4 (517)	40.2 (1022)



Dry Weight (lbs./kg)

Model	ET
Transom L:	402 (182.5)

Dimensions (in./mm)

Model	A	B	C
Transom L:	65.1 (1654)	20.4 (517)	40.2 (1022)