



MFS115



Feel the Wind™

Tohatsu's 115 hp 4-stroke outboard utilizes the groundbreaking industry-first technology of 4-2-1 Performance Tuned Exhaust that provides incomparable torque throughout the RPM range. Higher torque means better hole shot, faster speeds, less drag, and application for pleasure or commercial boat uses. Available in Aqua Marine Blue and Beluga White to match your boating style.

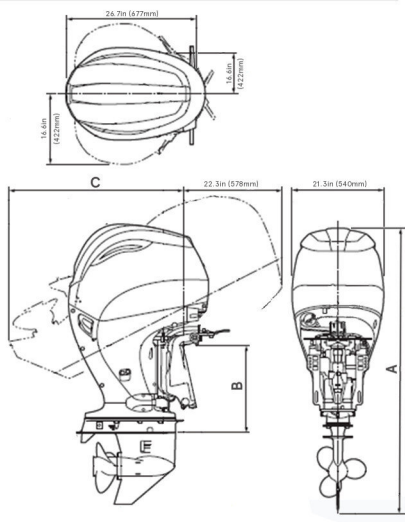


MFS115 specifications

Number of Cylinders	4
Output	115 hp (84.6 kw)
Displacement	1995 cc (121.6 cu.in)
Bore x Stroke	84 x 90 mm (3.31 x 3.54 in)
Starting	Electric
Control Type	Remote Control or Tiller Handle
Gear Shift	Forward - Neutral - Reverse
Gear Ratio	2.08:1
Transom Height	20", 25"
Weight	392 lbs (178 kw)
Alternator Output	12V, 492W, 41A
Max RPM Range	5,150 - 5,850

Standard features include: MicroComputer Programmed Ignition System, Electronic Fuel Injection, Start in Gear Protection, Thermostat Controlled Cooling System, Through-The-Prop Exhaust, Overheat Buzzer, Power Trim and Tilt, Oil Pressure Warning, and Variable Idle Speed.

Dimensions

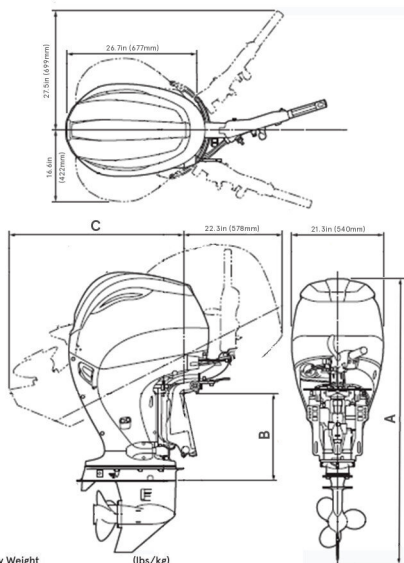


Dry Weight (lbs/kg)

Model	ET
Transom L:	392 (178)
Transom UL:	402 (182.5)

Dimensions (in/mm)

Model	A	B	C
Transom L:	65.1 (1654)	20.4 (517)	40.2 (1022)
Transom UL:	70.0 (1779)	25.4 (644)	44.7 (1135)



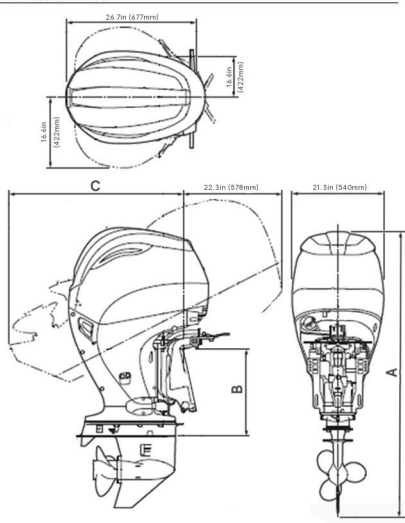
Dry Weight (lbs/kg)

Model	ET
Transom L:	402 (182.5)
Transom UL:	412 (187)

Dimensions (in/mm)

Model	A	B	C
Transom L:	65.1 (1654)	20.4 (517)	40.2 (1022)
Transom UL:	70.0 (1779)	25.4 (644)	44.7 (1135)

Dimensions

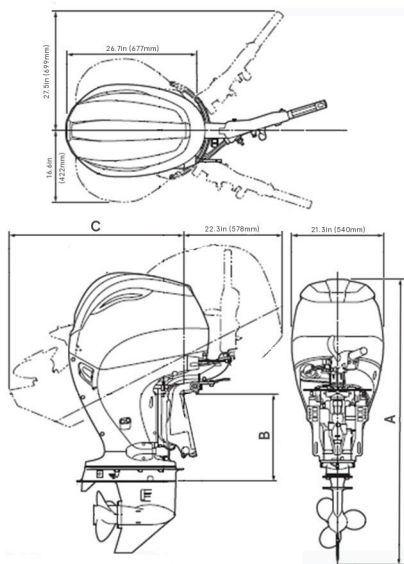


Dry Weight (lbs/kg)

Model	ET
Transom L:	392 (178)

Dimensions (in/mm)

Model	A	B	C
Transom L:	65.1 (1654)	20.4 (517)	40.2 (1022)



Dry Weight (lbs/kg)

Model	ET
Transom L:	402 (182.5)

Dimensions (in/mm)

Model	A	B	C
Transom L:	65.1 (1654)	20.4 (517)	40.2 (1022)